

B12 - Circuit Breaker Lug

DATASHEET



Description

TriCab Circuit Breaker lugs are designed with a narrow palm, allowing large cables to be easily terminated. They have the same barrel dimensions as our standard bell mouth lugs, enabling easy insertion of our fine stranded conductor.

Advantages

- Clear markings of conductor and crimp die sizes.
- Narrower and thicker palm than standard copper lugs.
- Inspection window provides visual confirmation that the cable has been installed correctly when crimping.
- Annealed copper barrel maximises crimping properties.
- Tin plating helps resist corrosive environments such as oil and gas, marine, petrochemicals and water industries.
- Flared barrel entry simplifies insertion of flexible, fine stranded conductor.

Materials

- Barrel - High Conductivity Annealed copper (99.9% purity). Electrolytic tin- plated
- High Conductivity Copper (99.95% purity)

Operating Temperature

- -55°C to 155°C
- -67°F to 311°F

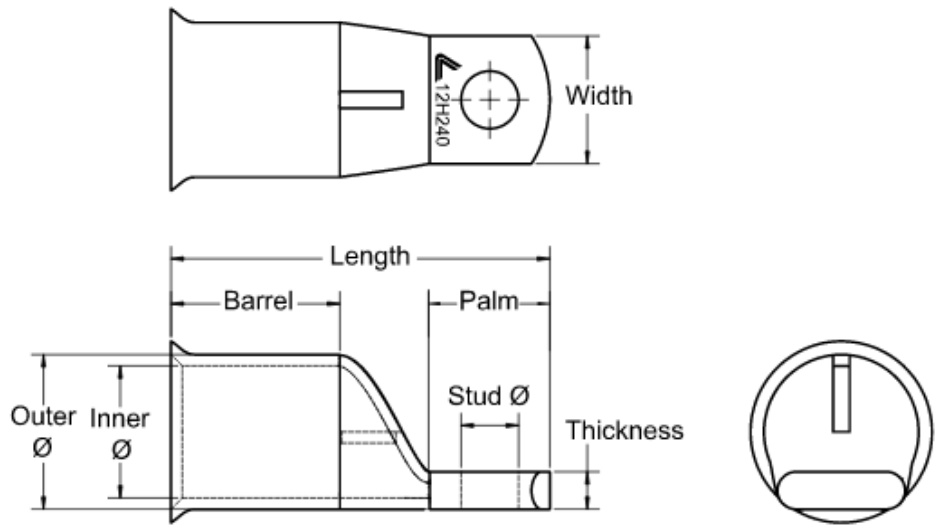
Standards

- AS/NZS 4325.1, IEC 61238-1

Inspection and Testing

- Visual inspection
- Physical measurement
- Weight measurement
- Conductor fit
- Heat cycling test to AS/NZS 4325.1 and IEC 61238-1
- Mechanical pulling test to AS/NZS 4325.1 and IEC 61238-1

SPECIFICATION



Product Code	Conductor	Stud Ø	Barrel	Palm	Length	Width	Thickness	Inner Ø	Outer Ø	Lugs
	mm ²	mm	mm	mm	mm	mm	mm	mm	mm	/bag
B12-AEXX/6H35	35	6.6	21	15	41	15	3	8.2	11.2	25
B12-AEXX/6H50	50	6.6	22	15	43	15	3.6	9.5	12.8	25
B12-AEXX/10H50	50	11	22	21	49	19	3	9.5	12.8	25
B12-AEXX/6H70	70	6.6	24	15	45	17	3.4	11.2	14.7	25
B12-AEXX/10H70	70	11	24	21	51	19	3.1	11.2	14.7	25
B12-AJXX/8H95	95	8.8	27	17	51	19	4.5	13.4	17.4	8
B12-AJXX/10H95	95	11	27	21	55	19	4.3	13.4	17.4	8
B12-AJXX/8H120	120	8.8	30	23	61	19	6.5	15.6	20.6	8
B12-AJXX/10H120	120	11	30	23	61	19	6.5	15.6	20.6	8
B12-ACXX/8H150	150	8.8	30	27	66	19	6.9	16.7	22.5	4
B12-ACXX/10H150	150	11	30	27	66	19	6.9	16.7	22.5	4
B12-ACXX/10H185	185	11	32	32	74	24.5	7	18.4	24.2	4
B12-ACXX/10H240	240	11	38	32	82	31	8	21.2	28.2	4
B12-ACXX/12H240	240	13.2	38	32	82	31	8	21.2	28.2	4
B12-ACXX/10H300	300	11	42	32	87	31	10.8	23.5	31.3	4
B12-ACXX/12H300	300	13.2	42	32	87	31	10.8	23.5	31.3	4

Notes:

- Tricab is not liable for any errors, omissions, etc., and reserves the right to modify the specifications at any time.
- All information above is intended for use only as a guide.