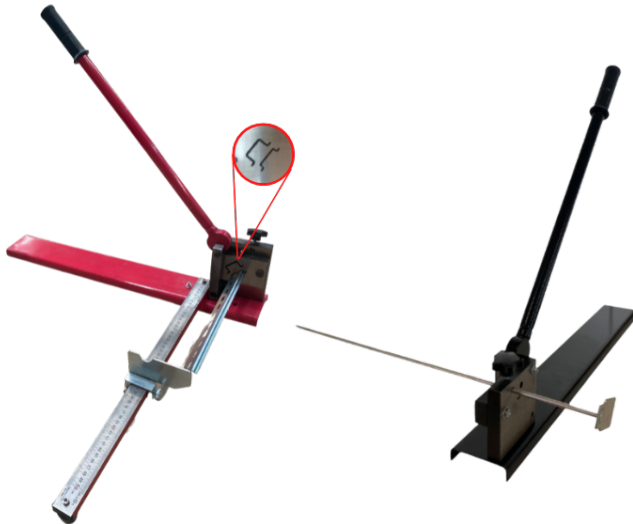


Z41 – DIN RAIL CUTTER DATASHEET



Z41-AAXX/7.5M15

Z41-AAXX/XM7.5

Advantages

- Smooth, simple operation, saving time and effort.
- Provides a clean-cut, free of burrs
- 550mm Length Stop Included

Inspection and Testing

- Visual Inspection
- DIN Rail Fit Check

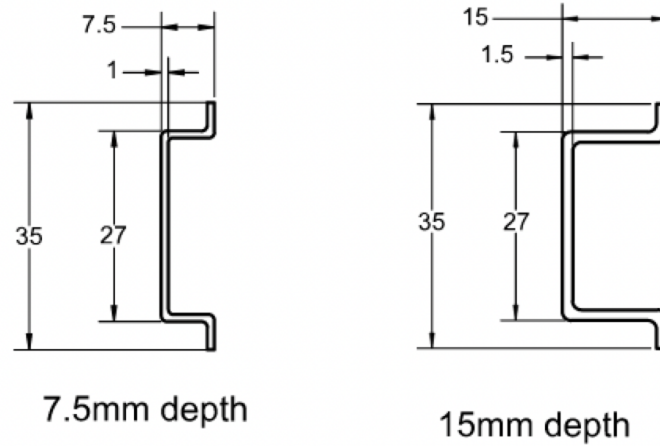
DESCRIPTION

TriCab's DIN Rail Cutters have been designed to specifically cut Steel DIN Rails with minimal force.

The cutters also eliminate uneven cuts and deformations of the rails and produce a bur-free cut.

A 550mm length stop is also included in the package.

SPECIFICATION



Product Code	DIN Rail Size	Qty/Box
Z41-AAXX/7.5M15	7.5mm & 15mm	1
Z41-AAXX/XM7.5	7.5mm	1

Notes:

- Tricab is not liable for any errors, omissions, etc., and reserves the right to modify the specifications at any time.
- All information above is intended for use only as a guide.