

J40 – MC4 STYLE CONNECTOR DATASHEET



Description

TriCab MC4 Style Connectors are made to industry standard. All connectors are IP67 rated, impact resistant and UV stabilized.

1 bag includes 50 sets of:

- Commercial / Industrial
- Manufacturing
- Temporary power

Advantages

- Easy installation with ready-made plug-in terminals
- Suitable for solar cable from 4 to 6 mm²
- Multiple plugging and unplugging cycles
- High current carrying capacity
- Wide temperature operating range
- IP67 water and dustproof
- TUV approved to industry standard

Operating Temperature

- -40°C to 110°C
- -40°F to 230°F

Standards

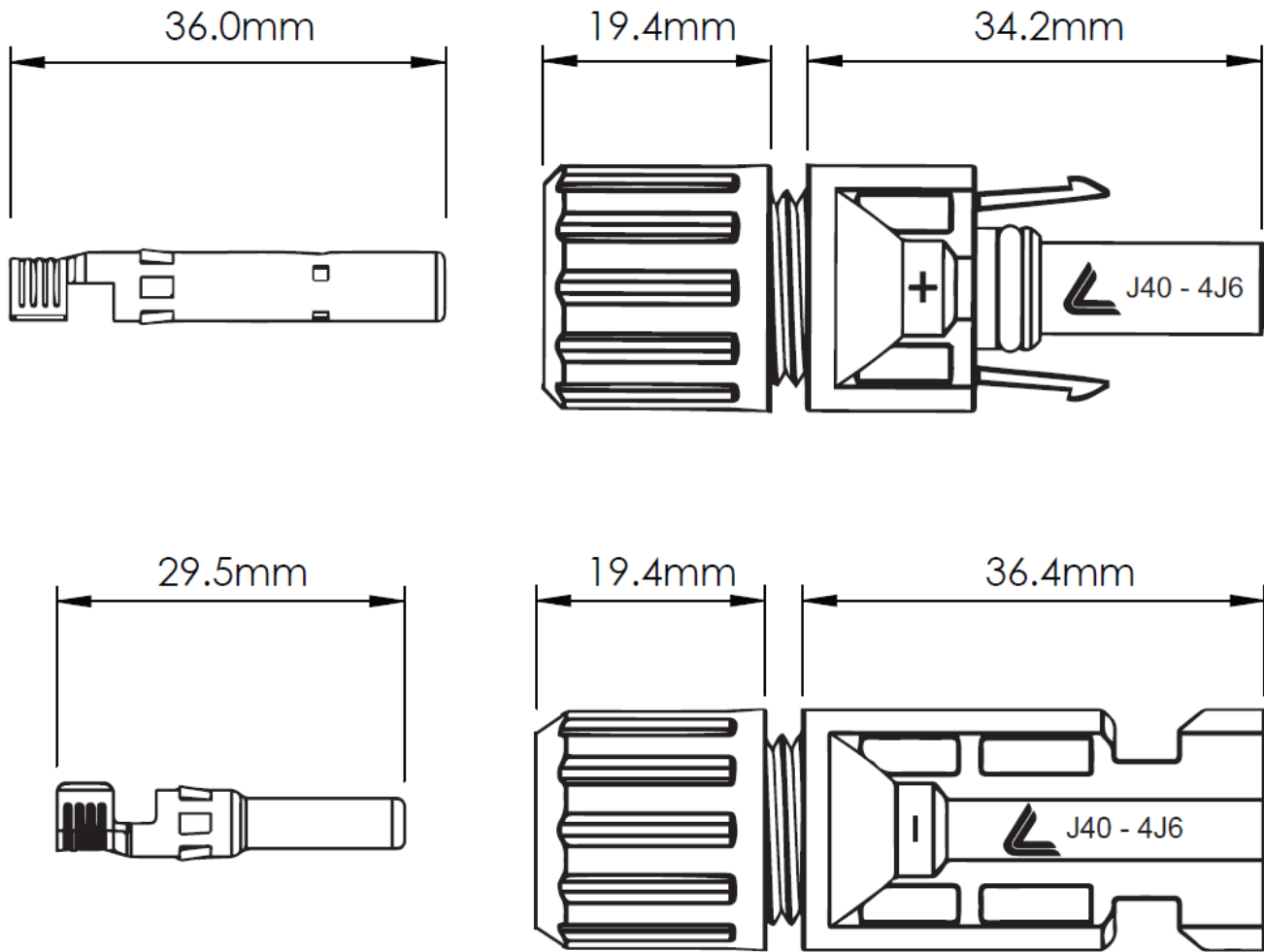
- IEC 62852
- AS/NZS 60529, IEC 60529

Inspection and Testing

- Visual inspection
- Physical measurement
- Cable fitting test
- IP67 type test to AS/NZS 60529 and IEC 60529

****Tricab MC4 Style Connectors have undergone testing and have been TUV approved against the IEC 62852 standard. However, in case a Standard MC4 Connector is required, they may not be suitable.***

SPECIFICATION



Product Code	Current Rating	Cable Size	Cable Outer Diameter	Units/box
	(A)	(mm ²)	(mm)	
J40-AAXX/4J6	30	4 - 6	4 - 6.5	50

**Tricab is not liable for any errors, omissions, etc., and reserves the right to modify the specifications at any time.*