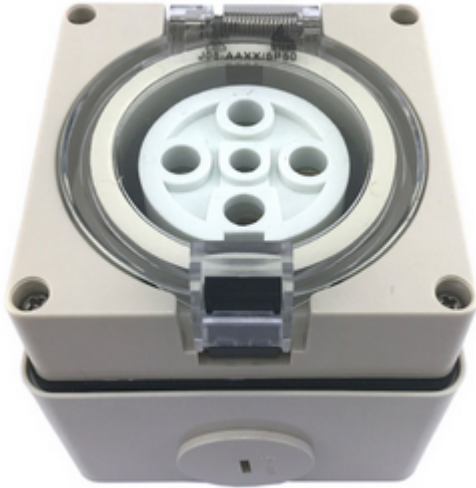


J05 – SOCKET OUTLET ROUND PIN

DATASHEET



Description

TriCab outlet sockets are designed and tested to AS/NZS 3123. They are IP66 rated, impact resistant and UV stabilized, making them suitable for most indoor and outdoor applications.

Current ratings from 20 to 50 Amps.

Typical applications include:

- Commercial / Industrial
- Manufacturing
- Temporary power

Advantages

- IP66 rating provides protection from dust and water
- Suitable for most industrial and commercial applications.
- High impact resistance
- Hinged cover with rubber seal to maintain IP66 rating

Materials

- Polycarbonate PC
- Terminals: Brass

Operating Temperature

- -25°C to 75°C
- -13°F to 167°F

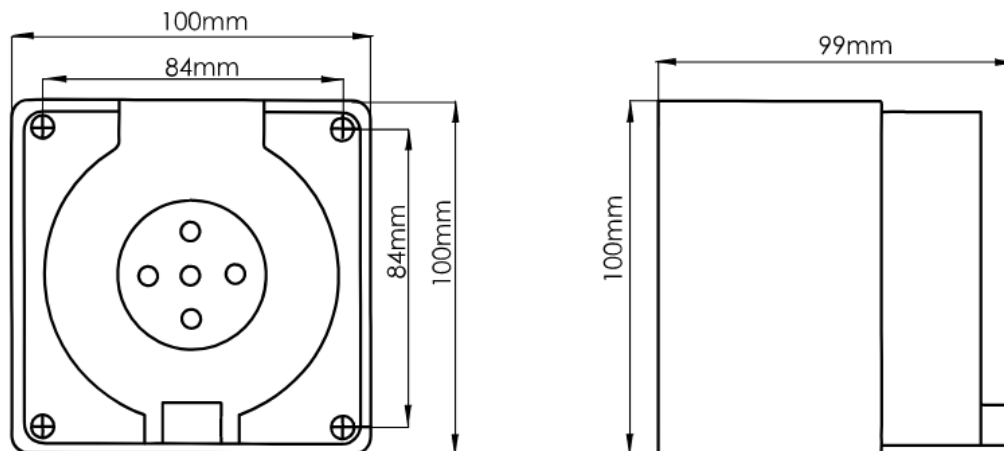
Standards

- AS/NZS 3123
- AS/NZS 60529, IEC 60529

Inspection and Testing

- Visual inspection
- Physical measurement
- Cable fitting test
- IP67 type test to AS/NZS 60529 and IEC 60529
- Electrical type test to AS/NZS 3123:2005

SPECIFICATION



Product Code	Current Rating	Voltage	No. of Pins	Phase	Sockets (1/box)
	(A)	(V)			
J05-AAXX/3P32	32	250	3	1	1
J05-AAXX/4P10	10	500	4	3	1
J05-AAXX/4P20	20	500	4	3	1
J05-AAXX/4P32	32	500	4	3	1
J05-AAXX/4P50	40	500	4	3	1
J05-AAXX/5P20	20	500	5	3	1
J05-AAXX/5P32	32	500	5	3	1
J05-AAXX/5P50	50	500	5	3	1

**Tricab is not liable for any errors, omissions, etc., and reserves the right to modify the specifications at any time.*