

A25 – DOUBLE GRIP RING TERMINAL

DATASHEET



Description

TRICAB's Double Grip Ring Terminals are designed for our flexible cables. Double layers of copper sleeve secure our fine stranded conductor, and ensure a consistent, reliable crimping termination.

The colour indicates size range

Red: 0.5 to 1.5 mm²

Blue: 1.5 to 2.5 mm²

Yellow: 4 to 6 mm²

Advantages

- Double grip crimp - more secure connection
- Injection moulded directly onto a seamless copper barrel - significantly more robust and reliable than cold pressed.
- Laser cut barrel - consistent smooth edge, faster, easier assembly.
- Thermal heat ageing for insulation
- A moulded taper guides the fine stranded conductor - makes installation efficient and reliable

Materials:

- Insulation - Thermoplastic Elastomer
- Barrel - High Conductivity copper (99.9% purity). Electrolytic tin-plated.

Operating Temperature

- -20°C to +75°C
- -4°F to + 167°F

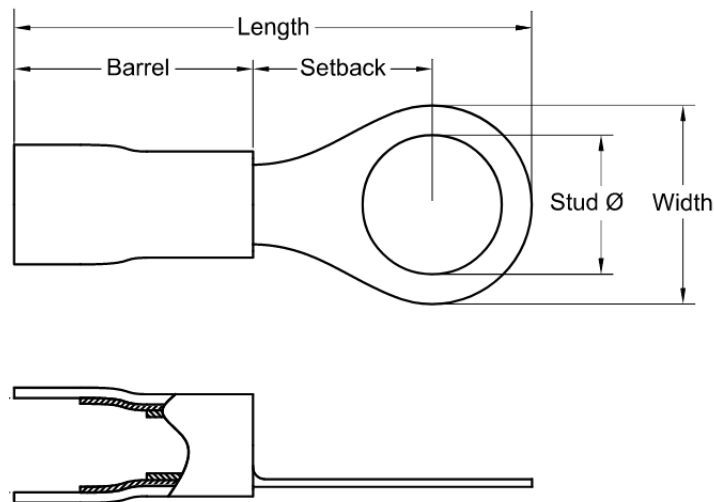
Voltage Rating

- 600V

Inspection and Testing

- Visual inspection
- Physical measurement
- Cable Fitting Test

SPECIFICATION



Product Code	Conductor Range	Stud Ø	Width	Setback	Barrel	Length	Terminals
	mm ²						
A25-AMXX/3H1.5RE	0.5 - 1.5	3.2	5.5	4.2	10.4	17.3	100
A25-AMXM/3.5H1.5RE	0.5 - 1.5	3.7	6.6	6.6	10.4	20.3	100
A25-AMXL/4H1.5RE	0.5 - 1.5	4.3	8	7.4	10.4	21.8	100
A25-AMXS/5H1.5RE	0.5 - 1.5	5.3	8	7.4	10.4	21.8	100
A25-AMXX/6H1.5RE	0.5 - 1.5	6.4	11.6	11.3	10.4	27.5	100
A25-AMXX/8H1.5RE	0.5 - 1.5	8.4	11.6	11.3	10.4	27.5	100
A25-AMXX/10H1.5RE	0.5 - 1.5	10.5	13.6	14.6	10.4	31.8	100
A25-AMXX/3H2.5BL	1.5 - 2.5	3.2	8.5	7.7	10.4	22.3	100
A25-AMXL/3.5H2.5BL	1.5 - 2.5	3.7	8.5	7.7	10.4	22.3	100
A25-AMXL/4H2.5BL	1.5 - 2.5	4.3	8.5	7.7	10.4	22.3	100
A25-AMXL/5H2.5BL	1.5 - 2.5	5.3	9.5	7.2	10.4	22.3	100
A25-AMXX/6H2.5BL	1.5 - 2.5	6.4	12	10.9	10.4	27.3	100
A25-AMXX/8H2.5BL	1.5 - 2.5	8.4	12	10.9	10.4	27.3	100
A25-AMXX/10H2.5BL	1.5 - 2.5	10.5	13.6	13.6	10.4	30.8	100
A25-AMXX/3H6YE	4 - 6	3.7	9.5	8.3	13.5	26.5	100
A25-AMXL/4H6YE	4 - 6	4.3	9.5	8.3	13.5	26.5	100
A25-AMXX/5H6YE	4 - 6	5.3	9.5	8.3	13.5	26.5	100
A25-AMXX/6H6YE	4 - 6	6.4	12	9.7	13.5	29.2	100
A25-AMXX/8H6YE	4 - 6	8.4	15	13.5	13.5	34.5	100
A25-AMXX/10H6YE	4 - 6	10.5	15	13.5	13.5	34.5	100

Notes:

- Tricab is not liable for any errors, omissions, etc., and reserves the right to modify the specifications at any time.
- All information above is intended for use only as a guide.